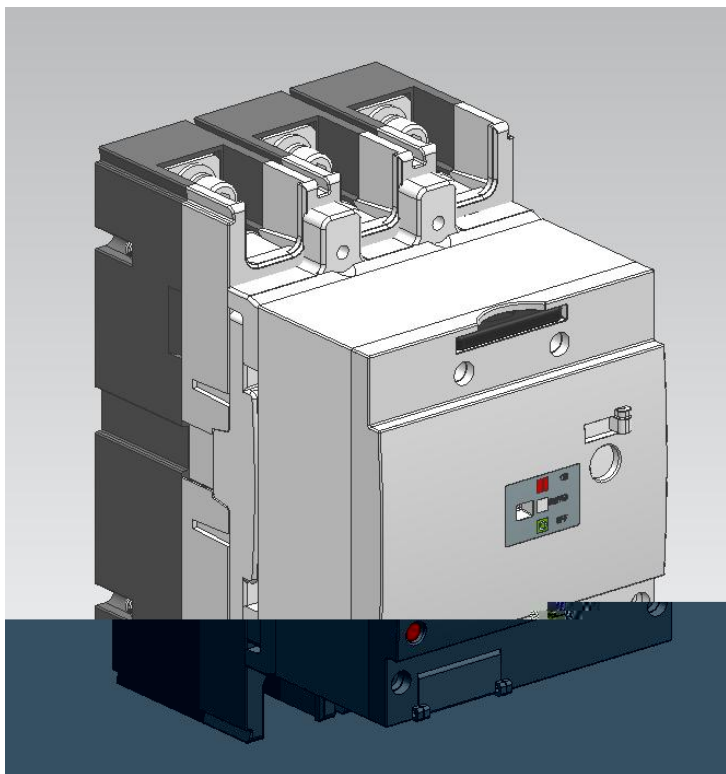


STMCCB



上图电气有限公司
SHANGTU ELECTRICAL CO., LTD.

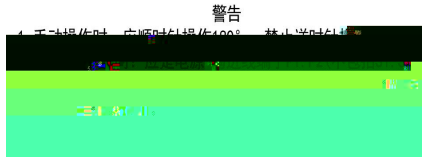
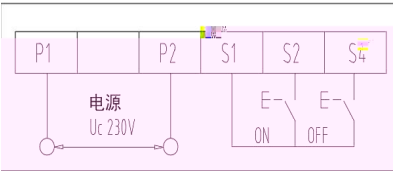
只允许专业人员或受过专业
训练的人员进行下列工作

Only qualified or instructed persons may
carry out the following operations

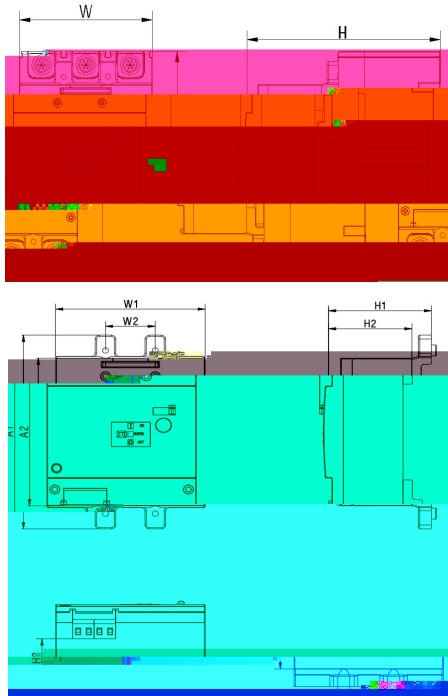


危险触电！

Electric Current!
Danger to life!



5



| | | | | | | | | |
|--|--|--|--|--|--|--|--|--|
| | | | | | | | | |
| | | | | | | | | |
| | | | | | | | | |
| | | | | | | | | |
| | | | | | | | | |
| | | | | | | | | |
| | | | | | | | | |
| | | | | | | | | |
| | | | | | | | | |
| | | | | | | | | |
| | | | | | | | | |

STMCCB

产品合格证

本产品经检验合格准予出厂

限公司：31200000000000000000

STMCCB-11330000000000000000
电话(总机)：0577-86772000
传真(总机)：0577-86772000